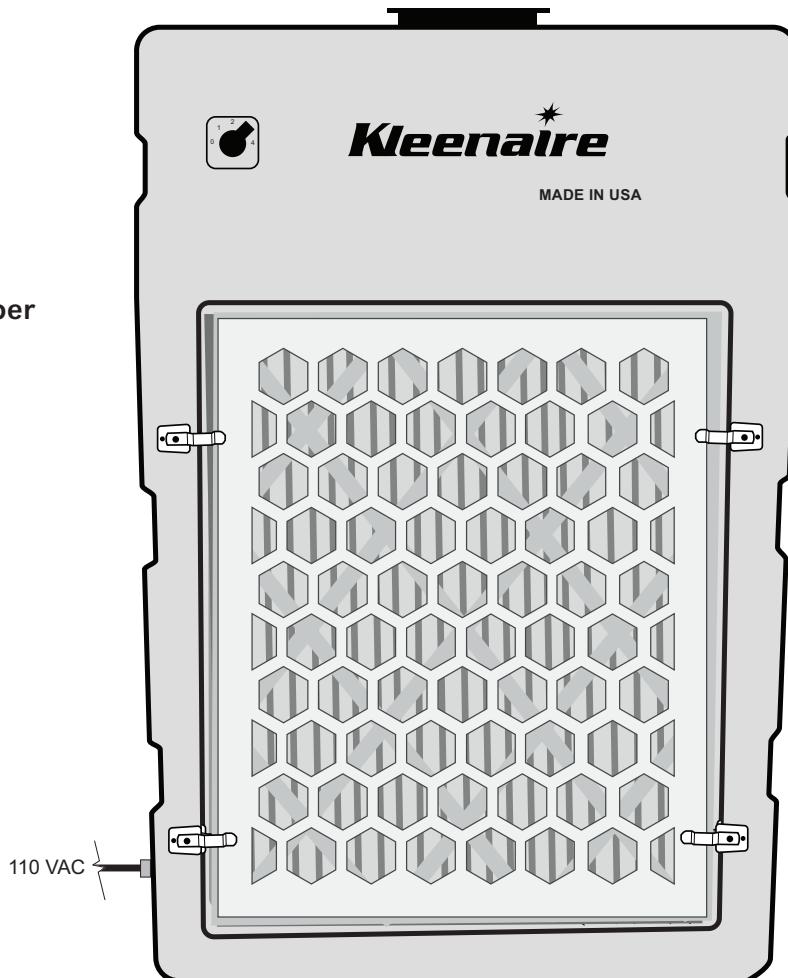


Installation Instructions for the Kleenaire High Efficiency Air Filtration System

US Patent number
D536, 432S



The Kleenaire high efficiency air filtration system has been designed to accommodate a number of standard filter element combinations. By taking advantage of the absorbent qualities of activated charcoal, the Kleenaire unit can be used not only for dust control but for the removal of odors and fumes.

Note:

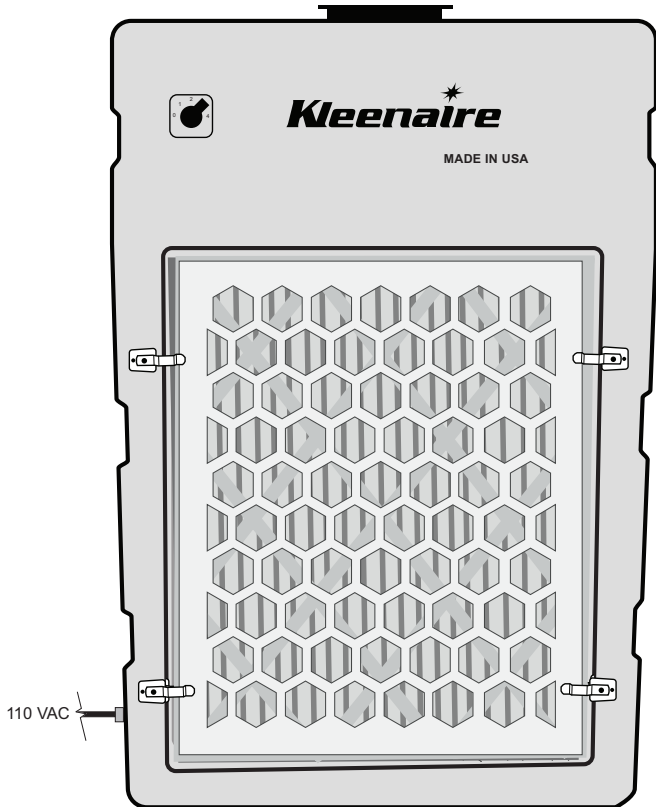
The Kleenaire high efficiency air filtration system is not explosion proof and is not intended to be used for spray painting or any other application which would generate large quantities of flammable vapors. This unit is designed for control of nuisance levels of particulates and odors only.



Attention: This product is not explosion proof!
Do not use where combustible fumes and gases are present.

Step 1

Determine the Desired Mounting Location, Height and Bench Top Clearance

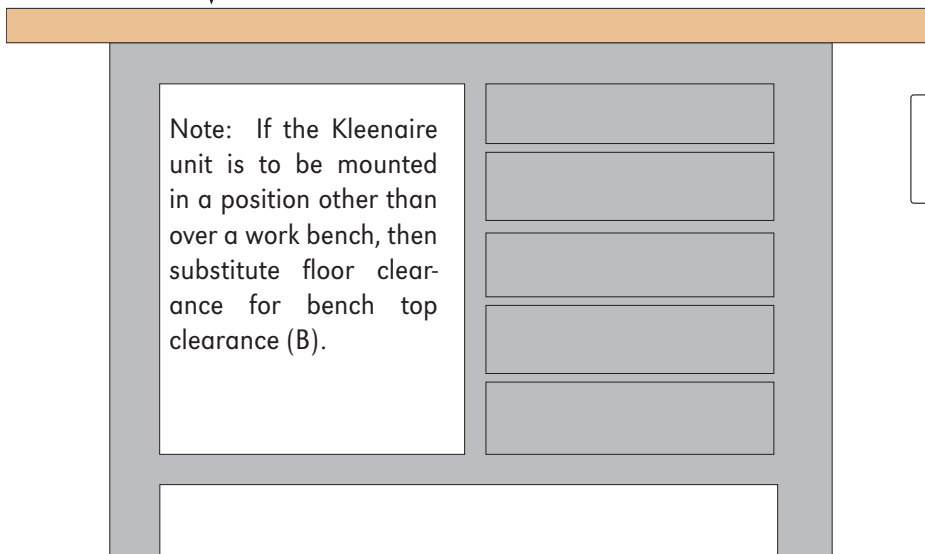


Mounting orientation:

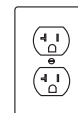
The Kleenaire unit is designed for wall mount applications and must be mounted with the top and bottom edges parallel to the floor. Failure to observe this precaution will result in premature failure of the blower motor and void the warranty.

The recommended bench top clearance is 10". However, this may be adjusted based on location, application, or user height. It is suggested that the Kleenaire unit be placed in the desired location and raised on a temporary support to determine the desired height. Once you have determined the preferred mounting height, record the clearance between the bottom of the filter assembly and the bench top. This will be referred to as dimension (B).

Desired
bench top clearance (B)
10" recommended



Note: If the Kleenaire unit is to be mounted in a position other than over a work bench, then substitute floor clearance for bench top clearance (B).



Attention:

The Kleenaire unit must be plugged directly into an AC outlet and should not be operated on a drop cord. When planning the mounting location be sure the Kleenaire power cord will reach an available outlet.

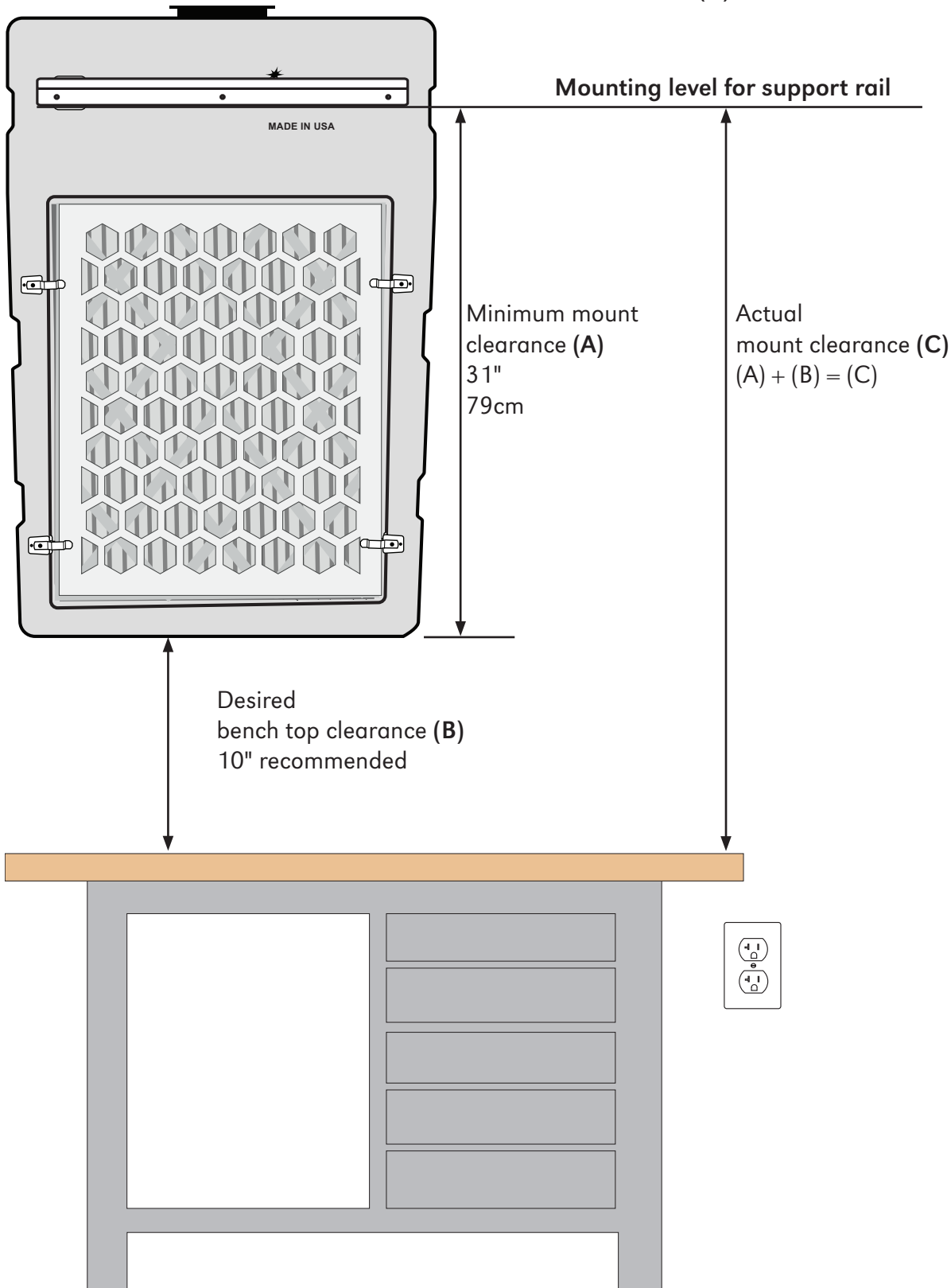
Step 2

Determine the Mounting Level for the Kleenaire Unit Support Rail

The minimum mounting height places the Kleenaire unit at the work bench surface. This position requires a mounting rail clearance (A) of 31" or 75cm.

To determine the actual mounting height of the Kleenaire unit support rail, add the desired bench top clearance (B) and the minimum rail clearance (A).

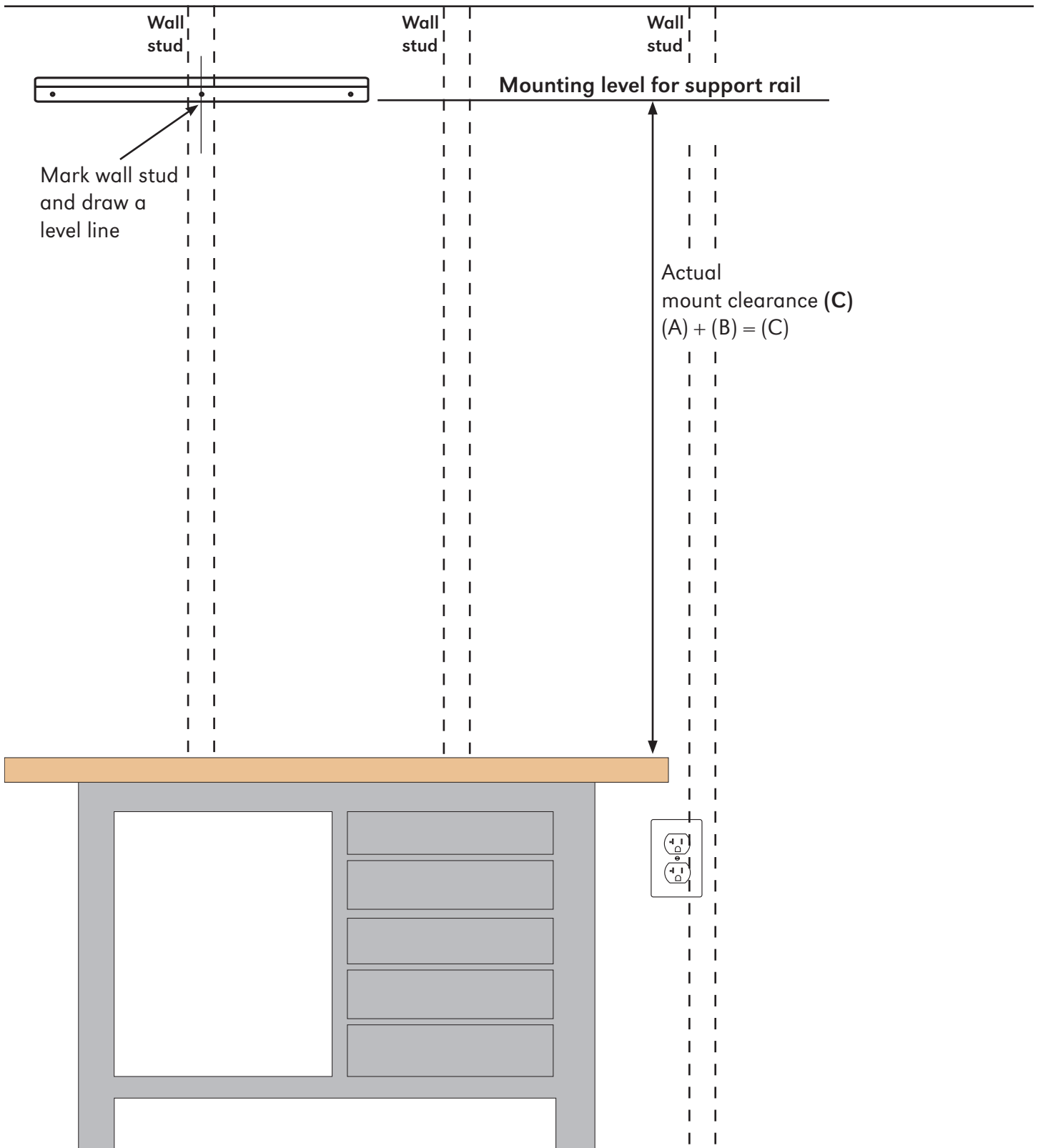
The sum of these dimensions will be the actual mount clearance (C).



Step 3

Determine the Mounting Position for the Kleenaire Unit Support Rail

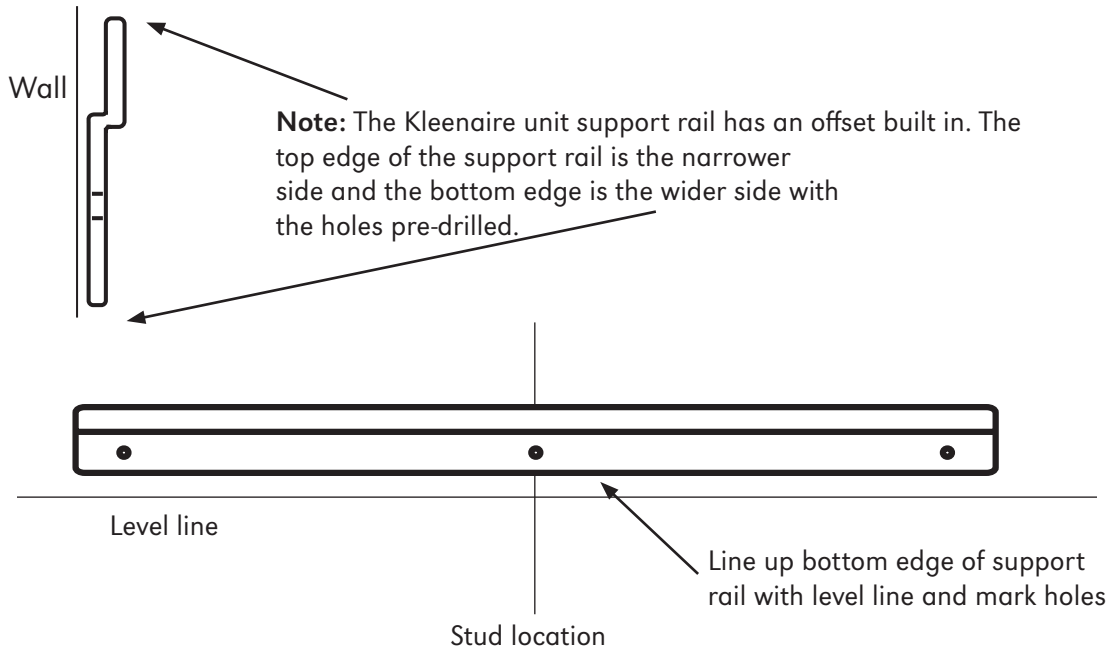
It is very important that the support rail of the Kleenaire unit be attached to one of the wall studs to properly support its weight. Locate the wall stud in the desired mounting area over which you wish to center the filter and mark the stud's location. Measure up from the work bench surface a distance equal to the mounting level (C) as determined in step 2. Mark this point on the mounting stud. Draw a level line at this point to serve as a mounting guide line for the support rail.



Step 4

Marking the Kleenaire Unit Support Rail Mounting Holes

Note: The Kleenaire unit support rail has an offset built in. The top edge of the support rail is the narrower side and the bottom edge is the wider side with the holes pre-drilled.

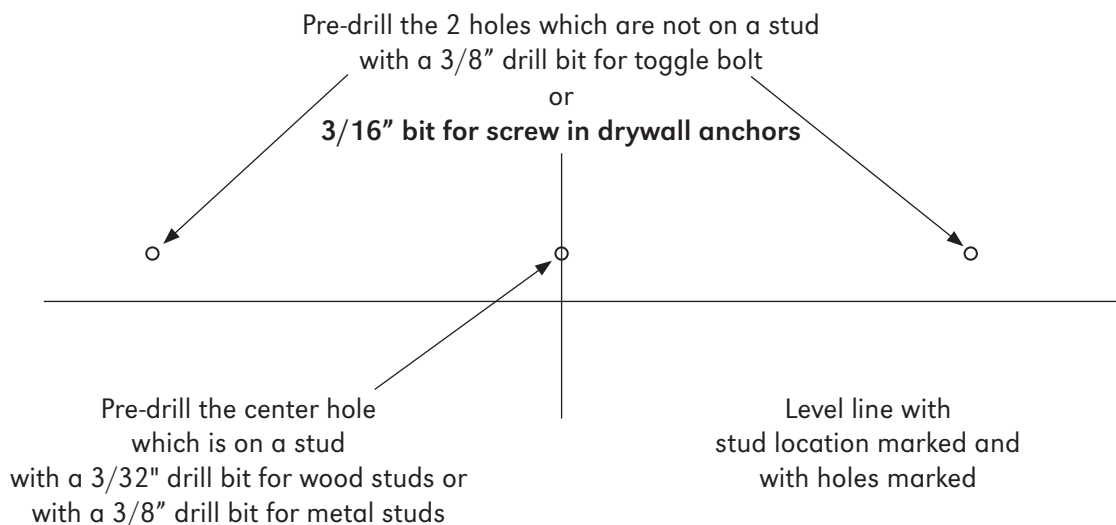


Marking hole locations: Place the support rail on the wall and align the bottom edge of the support rail with the level line drawn on the wall. Position the rail so that the center hole in the rail falls on the stud center marked in step 3. With the rail held in position, double check that the rail is level. With the rail held in position mark all mounting holes on the wall.

Pre-drilling holes: Pre-drill the holes which are not on studs with a 3/8" drill bit for toggle bolts. **OR** Alternate method: Pre-drill holes not on studs with 3/16" bit and install screw in drywall anchors.

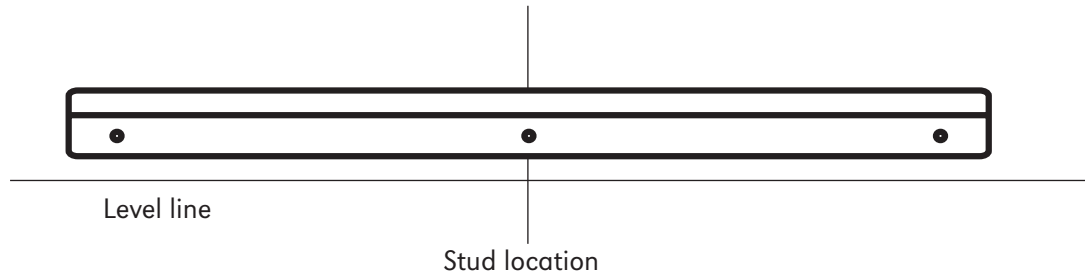
For wood stud installation: Pre-drill the center hole which is on a stud with a 3/32" drill bit.

For metal stud installation: Pre-drill the center hole which is on a stud with a 3/8" drill bit.



Step 5

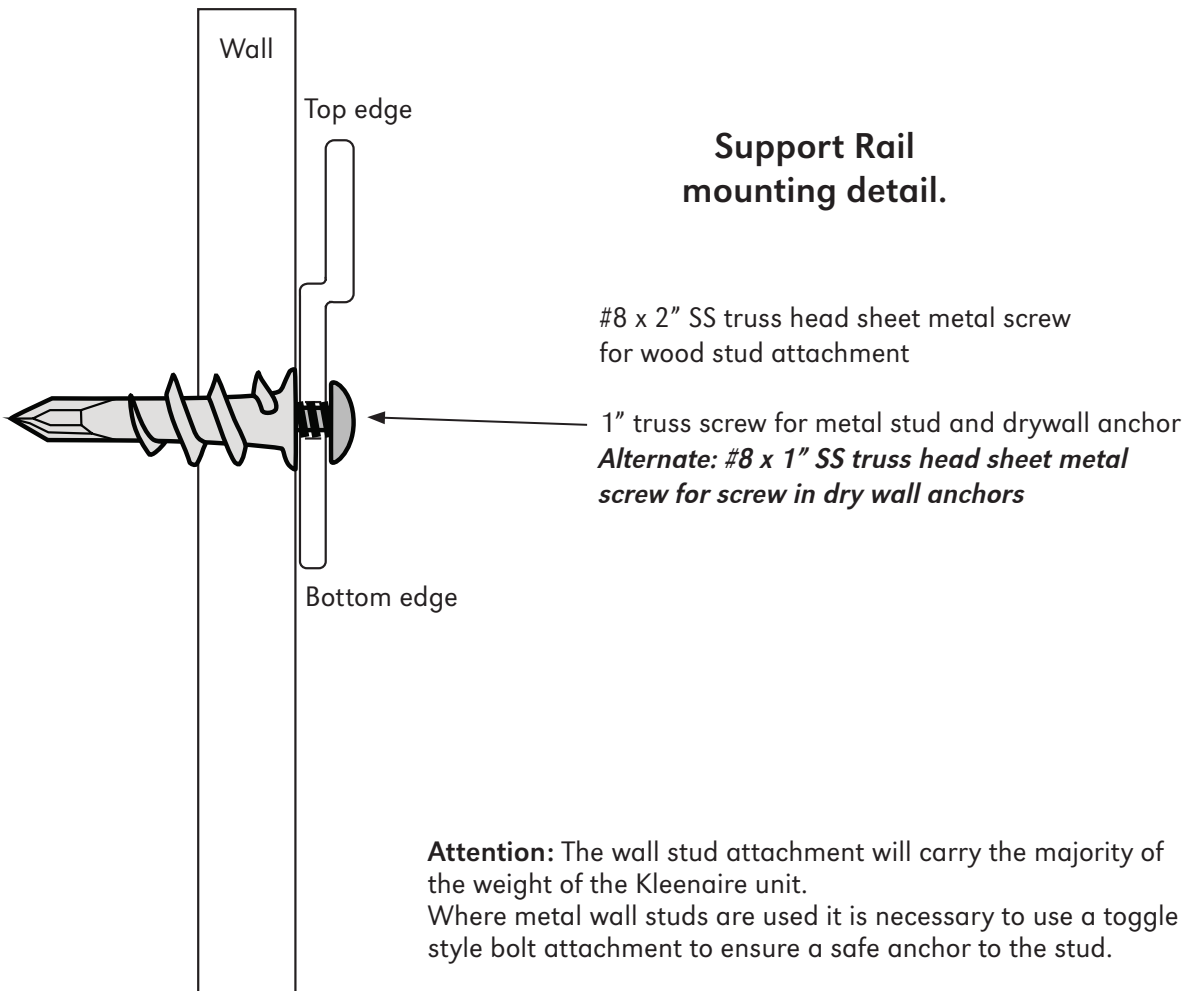
Attaching the Kleenaire Unit Support Rail to the Wall



For metal studs: Attach the rail to the wall with three 1/8" x 3" toggle bolts. The center bolt must be placed into the metal stud.

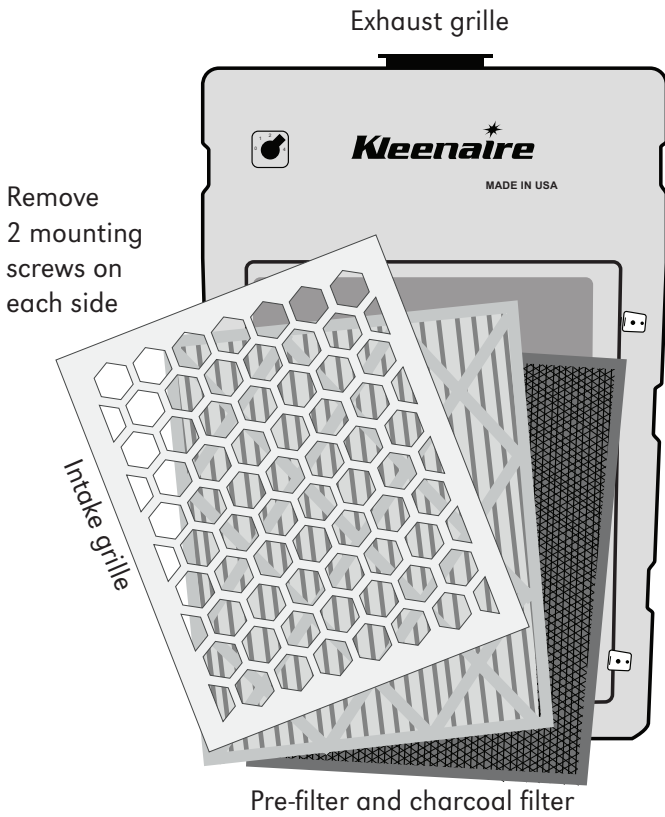
For wood studs: Attach the rail to the wall first with two 1/8" x 3" toggle bolts placed into the two outer 3/8" holes. Finish the attachment with a #8 x 2" stainless steel truss head screws into the wood stud.

Alternate method: If screw in drywall anchors are used instead of toggle bolts for the two outer holes then use #8 x 1" stainless steel truss head screws into the dry wall anchors placed in step 4.



Step 6

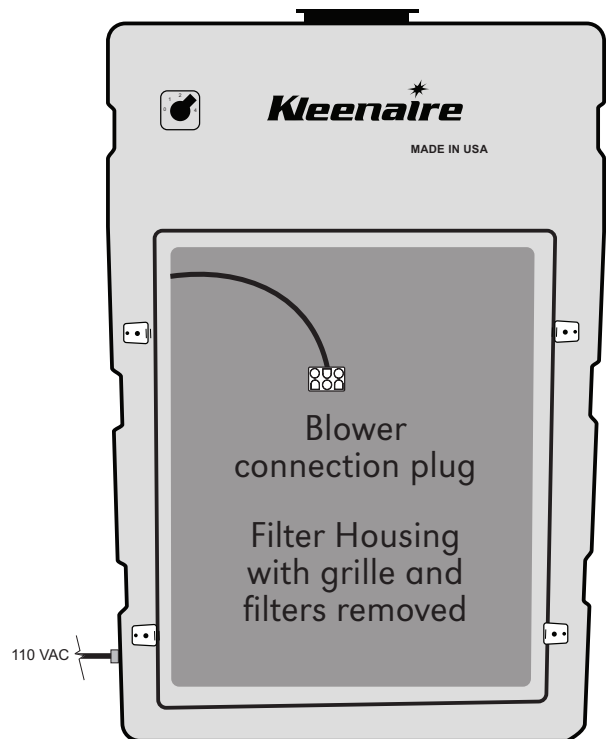
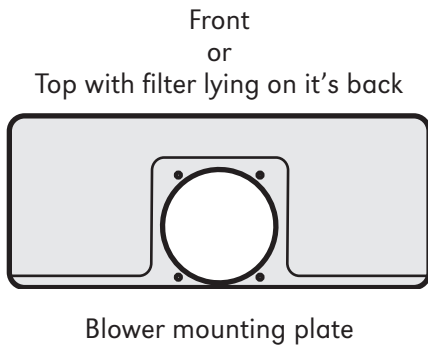
Installing the High Efficiency Blower in the Kleenaire Housing



Once the Kleenaire unit support rail is securely attached to the wall you are ready to install the high efficiency blower in the Kleenaire housing.

Begin by placing the Kleenaire housing on a flat surface on its back. Next remove the protective intake grille and filter elements. These are removed by popping open the metal latches that hold the filters in position.

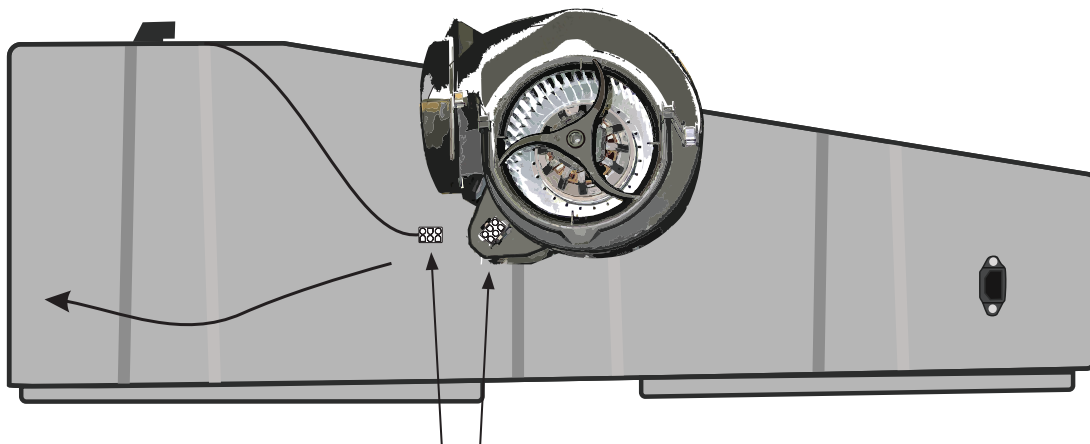
With the grille and filters removed, look inside the exhaust opening and you will see a mounting plate for the high efficiency blower. The mounting plate has a large center hole for the blower exhaust port and four pre-drilled holes for the blower mounting screws. Pictured below is the blower mounting plate.



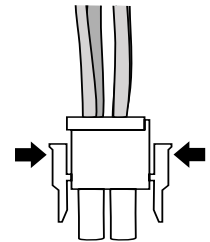
Step 7

Installing the High Efficiency Blower in the Kleenaire Housing

Locate the high efficiency blower which was shipped with your Kleenaire unit. With the Kleenaire housing lying on its back remove the screen vent and filters on top of the housing. Set the new blower inside the housing. Locate the blower attachment harness inside the Kleenaire housing and attach the harness to the plug on the blower. ***The harness and blower have a plug which only fits together in one direction so be careful to align the plug properly.*** Once the plug is securely engaged slide the blower into the housing as shown below. The exhaust duct on the blower fits into the hole in the blower mounting plate inside the housing.

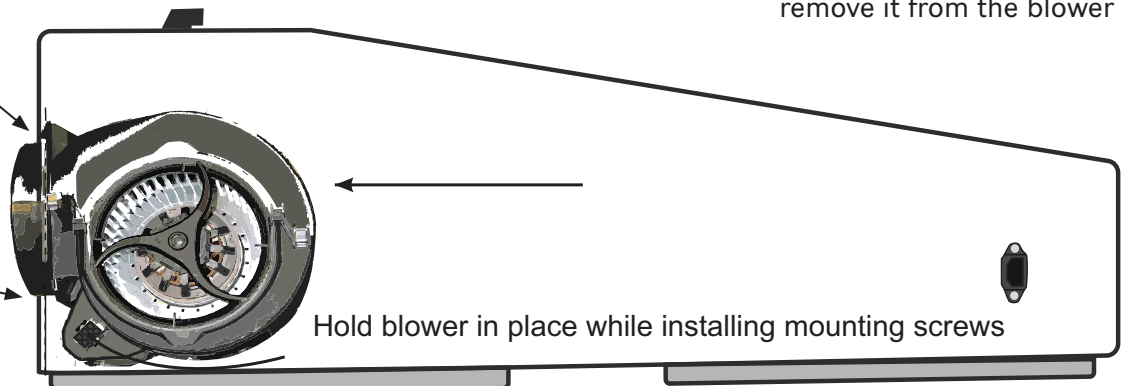


Attach the harness to the connection plug on the blower



If you need to remove the blower press the plastic ears on the wiring harness to remove it from the blower

Install four #8 x 1" mounting screws

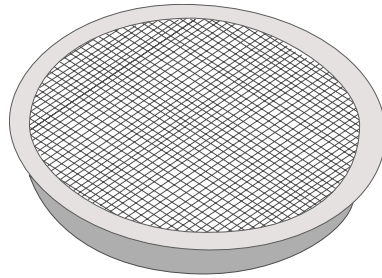


Hold blower in place while installing mounting screws

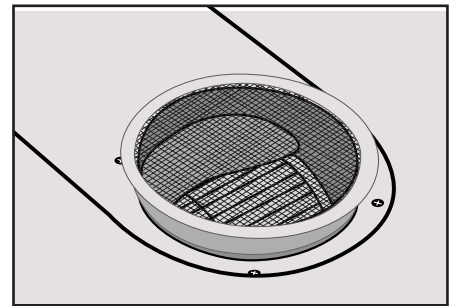
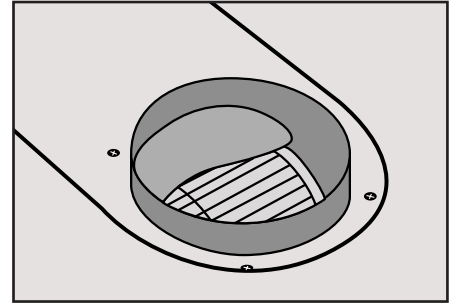
After the wiring harness is attached, slide the blower all the way into its mount until the mounting flange on the blower seats securely against the blower mounting plate in the Kleenaire housing. Hold the blower in this position and insert the mounting screws through the exhaust opening in the Kleenaire housing. Install all 4 mounting screws loosely before any are tightened. Once all four mounting screws are started into the attached binding nuts you should tighten all four securely.

Step 8 Re-Installing the Exhaust Grille

After the blower is installed cap the exhaust vent with the screened vent cover. This should fit snug.

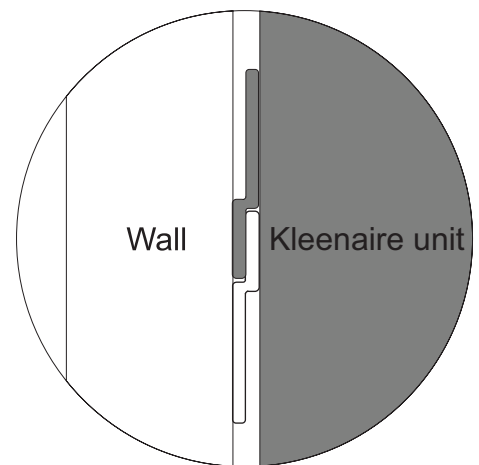
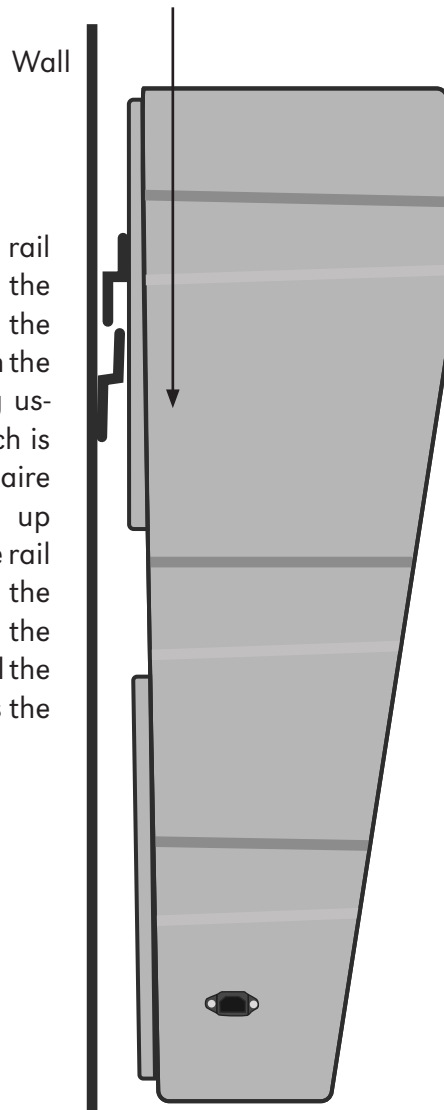


Screened vent



Step 9 Hanging the Kleenaire Unit On the Wall

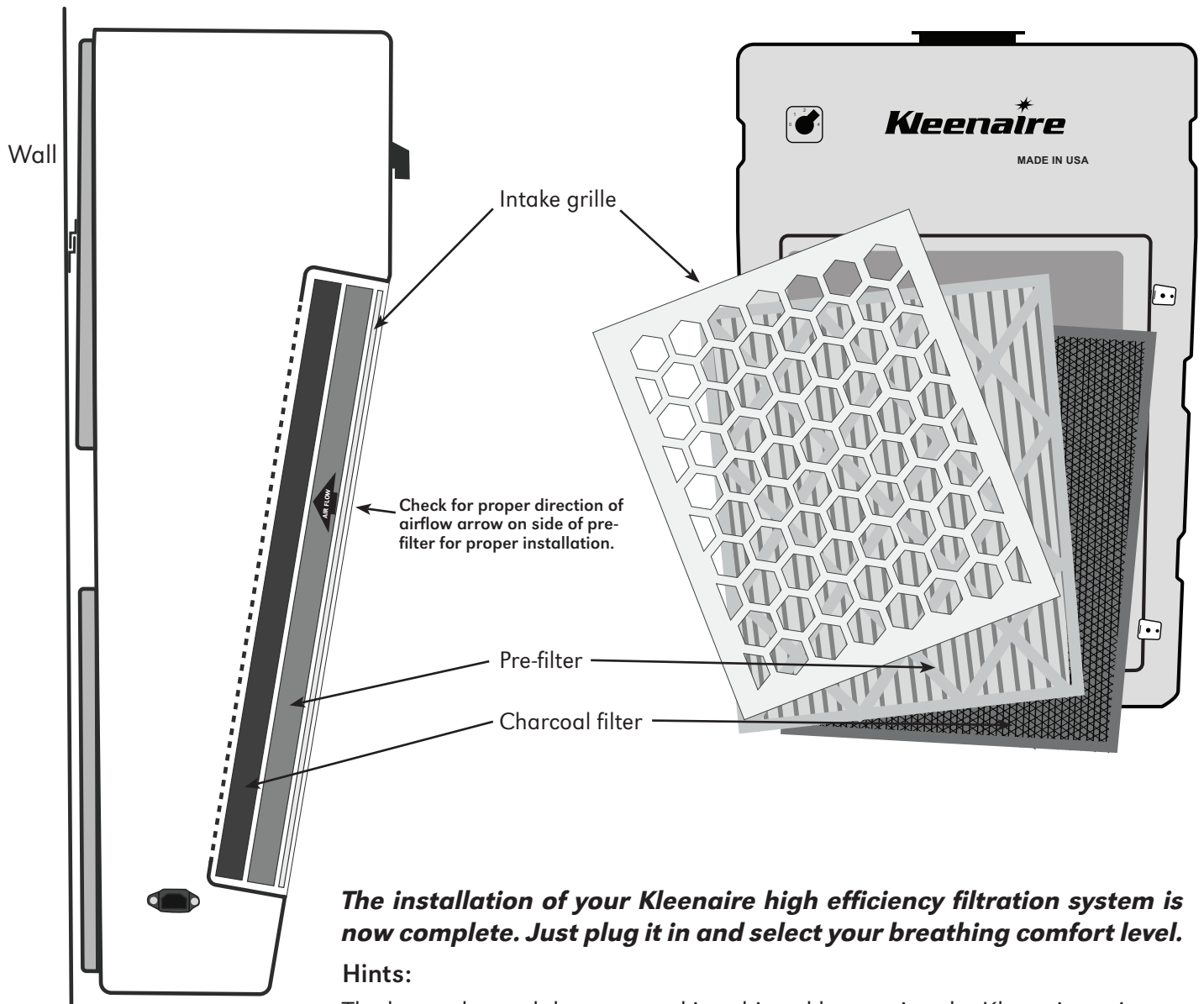
With the Kleenaire unit support rail firmly attached to the wall and the blower installed in the housing, the Kleenaire unit is ready to hang on the wall. The Kleenaire unit is hung using the mating support rail which is attached to the rear of the Kleenaire housing. Lift the Kleenaire unit up so the rail on the unit is above the rail on the wall and press the Kleenaire unit against the wall allowing it to slide down until the rail on the unit securely engages the support rail on the wall.



Rail
attachment
detail

Step 10 Installing the Filter Elements

With the mounting of the Kleenaire housing complete you may install the filter elements. Remove the plastic wrap from the filter elements prior to installation in the Kleenaire housing. First press the charcoal filter into the large opening on the face of the Kleenaire housing. Next place the pre-filter into the support rail placing the pre-filter in front of the charcoal filter so that the charcoal filter is hidden from sight. This keeps dust from clogging the charcoal filter. The protective intake grille is placed last and is to be placed in front of the pre-filter to protect the pre-filter from accidental damage.



The installation of your Kleenaire high efficiency filtration system is now complete. Just plug it in and select your breathing comfort level.

Hints:

The best odor and dust removal is achieved by running the Kleenaire unit constantly. We highly recommend running the filter 24/7 on low speed and using the high speed when work is generating high levels of airborne contaminants.

Replacement filters and subscriptions are available at:
www.kleenaireusa.com

Keeping the pre-filter changed on a regular basis will greatly enhance performance.

In humid climates it is even more important to change the filter often.